

SIDE01

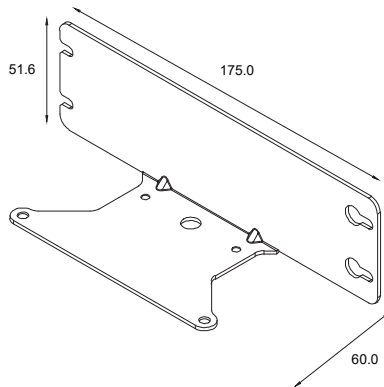
DI Series Side Mount Kit



Specifications

Mounting Method	• Side Mount
Dimension (W x D x H)	• 175 x 51.6 x 60 mm
Weight	• 0.16 kg
Material	• SECC

Dimensions



Unit: mm

Ordering Information

Available Models

Model No.	Description
SIDE01	SIDE Mount Kit

Package Checklist

• Side Mount Bracket x1

• Screw Pack x1

Compatible List

Model No.	SIDE01
DI Series	V

V : Compatible